



Industrial Lighting Products

CATALOG NUMBER	
PROJECT NAME	TYPE
VOLTAGE	LAMPS

FLUID

Retail / Super Center Fixture T5 HO and T8

SPECIFICATIONS

- Specification grade for new construction or renovation of any building
- Steel construction in post painted white
- 95% enhanced reflector option
- Multiple lamp and ballast options
 - T5 HO or T8
 - Super T8 High efficiency
- Ample KOs on back and ends
- Post painted steel body and louver
- Single side latching
- Safety Cable
- Units without reflectors have up-light.



APPLICATIONS

- Retail
- Super centers
- Racking and warehouses
- Task lighting

ORDERING GUIDE:

FL1043

/

E

/

T8/N

/

Cord

SERIES

- FL1042 - 4 FT - 2 LAMP
- FL1043 - 4 FT - 3 LAMP
- FL1044 - 4 FT - 4 LAMP
- FL1084 - 8 FT - 4 LAMP
- FL1086 - 8 FT - 6 LAMP
- FL1088 - 8 FT - 8 LAMP

REFLECTOR

- E - 95% ENHANCED
- N - NO REFLECTOR

BALLASTS

- T5/UH - T5HO
- T8/UL - T8 LPF
- T8/UN - T8 NPF
- T8/UH - T8 HPF
- T5/4H - T5HO 480V
- SPECIFY BRAND:

OPTIONS

- BB - BATTERY BACK-UP
- UP - UP-LIGHT
- LI - LAMPS INSTALLED
- OS - OCCUPANCY SENSOR
- FIOS - FACTOR INSTALLED OS
- CORD - SPECIFIED LENGTH 6 FT STD.
- PLUG - SPECIFIED TYPE



CATALOG NUMBER	
PROJECT NAME	TYPE
VOLTAGE	LAMPS

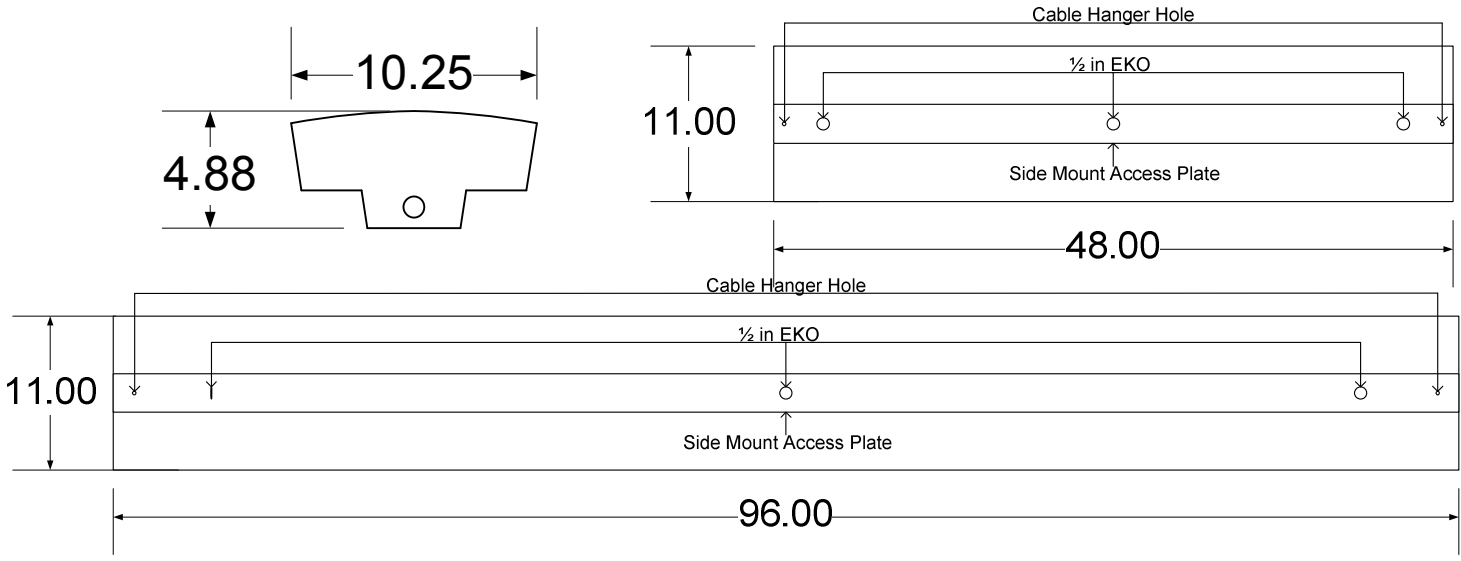
FLUID

Mounting Options

- Pendant
- Cable
- Chain

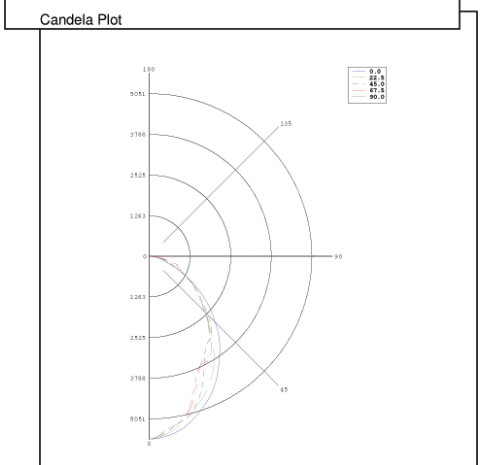
Retail / Super Center Fixture

T5 HO and T8



FL1043-E-T5-UH

Coefficients of Utilization																	
pfc=	0.20																
pcc->	0.70	0.50	0.30	0.10	0.70	0.50	0.30	0.10	0.50	0.30	0.10	0.50	0.30	0.10	0.00	0.00	
pw->	0.70	0.50	0.30	0.10	0.70	0.50	0.30	0.10	0.50	0.30	0.10	0.50	0.30	0.10	0.00	0.00	
RCR																	
0	102	102	102	102	100	100	100	100	95	95	95	91	91	91	87	87	87
1	94	90	87	84	92	88	85	83	85	82	80	81	79	77	74	74	74
2	86	80	74	70	84	78	73	69	75	71	67	72	69	66	63	63	63
3	79	71	64	59	77	70	64	59	67	62	58	65	60	57	54	54	54
4	73	63	56	51	71	62	56	51	60	55	50	58	53	49	47	47	47
5	68	57	50	45	66	56	50	44	54	49	44	53	48	43	41	41	41
6	63	52	45	40	61	51	44	39	50	44	39	48	43	39	37	37	37
7	58	47	40	35	57	47	40	35	45	39	35	44	39	35	33	33	33
8	55	44	37	32	53	43	36	32	42	36	32	41	35	31	30	30	30
9	51	40	33	29	50	40	33	29	39	33	29	38	32	29	27	27	27
10	48	37	31	26	47	37	31	26	36	30	26	35	30	26	25	25	25



Luminaire Properties	
Number of Lamps:	3
Lumens Per Lamp:	4400
Input Watts:	170
Distribution:	Direct
Symmetry:	Quadrilateral
Photometric Type:	Type C
Luminous Shape:	Rectangle
Units:	Feet
Luminous Dimensions:	
0-180 Axis:	4.0
90-270 Axis:	0.83
Height:	0.06

Zonal Lumen Summary			
Zone	Lumens	% Lamp	% Fixture
0-30	3812	29	34
0-40	5931	45	53
0-60	9457	72	84
0-90	11246	85	100
90-120	27	0	0
90-150	27	0	0
90-180	27	0	0
0-180	11273	85	100