

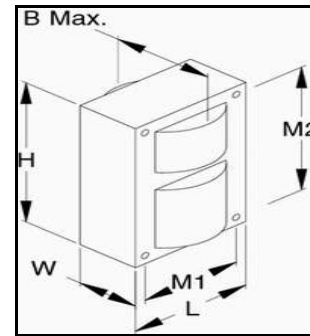
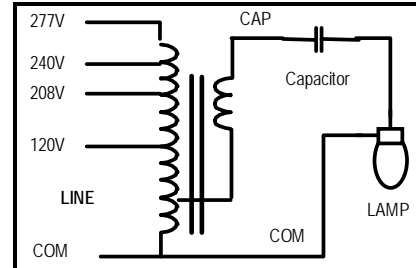


Catalog #	MH-400A-Q-CA
Type:	400W Metal Halide
Voltage:	Quad Tap (120/208/240/277V)

General Information

Lamp Type	400W MH
ANSI Designation	M59 or H33
Line Voltage (V)	120/208/240/277
Regulation	10%
Frequency (Hz)	60
Recommended Fuse (A)	10/8/5/5
Circuit Type	CWA
Insulation Class	180°C
Capacitor Value	24 MF
Capacitor Voltage Rating	400 V
Cap. Temp. Rating	90°C
Winding Materials (Pri/Sec)	Cu/Al
Lamp Starter	N/A
Agency Certification	RU, cRU
Maximum Distance to Lamp	N/A

Diagrams



Electrical Characteristics

Line Volt (V)	Power Factor	Line Current (A)			Input Power (W)	Open Circuit Voltage (V)	Min Start Temp.	UL Temp. Code
		Operating	Open	Start				
120	High	3.95	4.09	3.30	443	318	-30°C	B
208	High	2.27	2.47	2.07	443	318	-30°C	C
240	High	1.95	2.11	2.11	443	318	-30°C	C
277	High	1.72	1.84	1.43	443	318	-30°C	C

Physical Characteristics

Overall Dimensions (Inches)				Mounting Holes (Inches)			Bracket Dimension (Inches)		Ballast Net Weight (KG)	Lead Length (Inches)
Length	Width	Height	B max.	Diameter	M1	M2	Length	Width		
4.30	2.30	4.80	4.53	0.25	3.87	4.38	7.25	1.11	5.30	12-14

KEYSTONE TECHNOLOGIES LLC.
 P.O. Box 246, AMBLER, PENNSYLVANIA 19002
 PHONE: 215-283-2600
 FAX: 215-628-4412
 INFO@KEYSTONEBALLAST.COM
 WWW.KEYSTONEBALLAST.COM